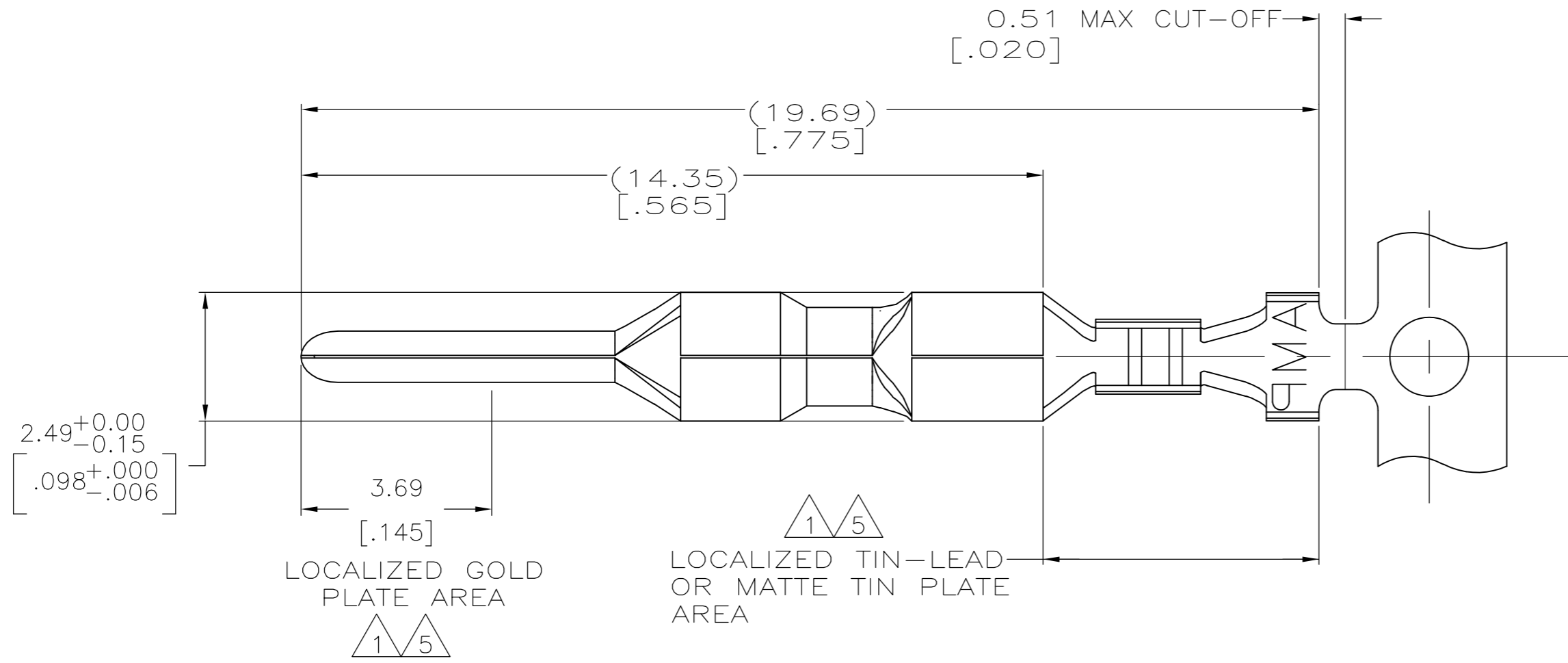
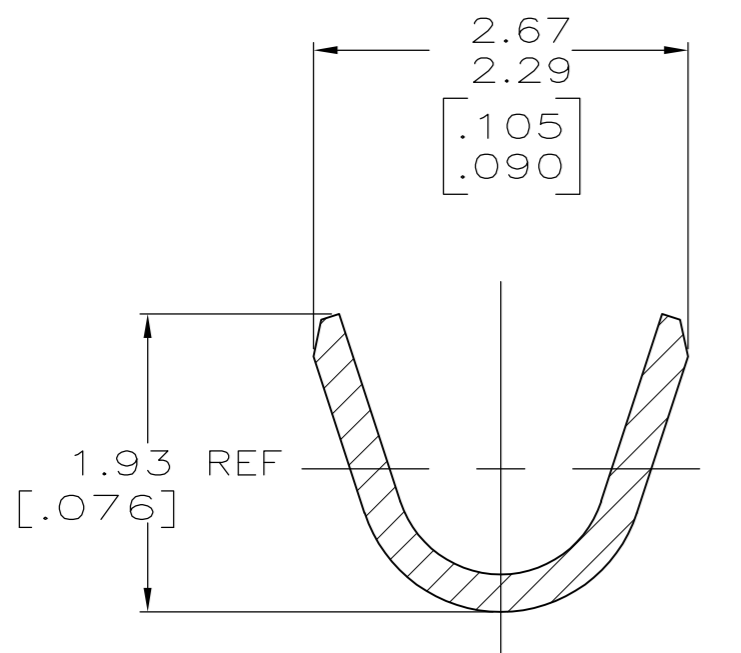
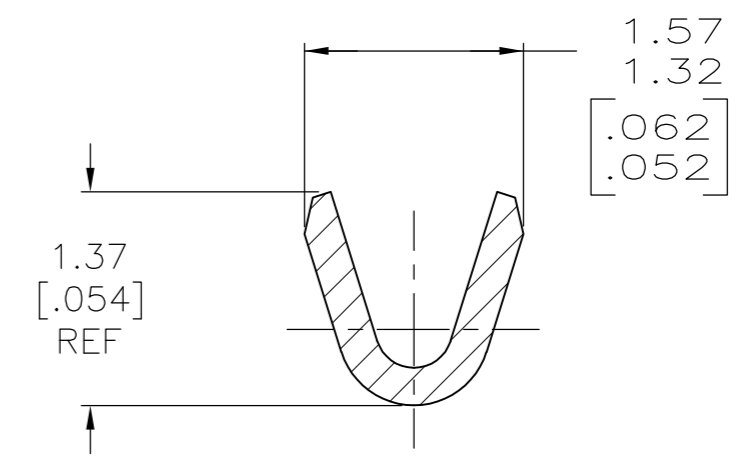
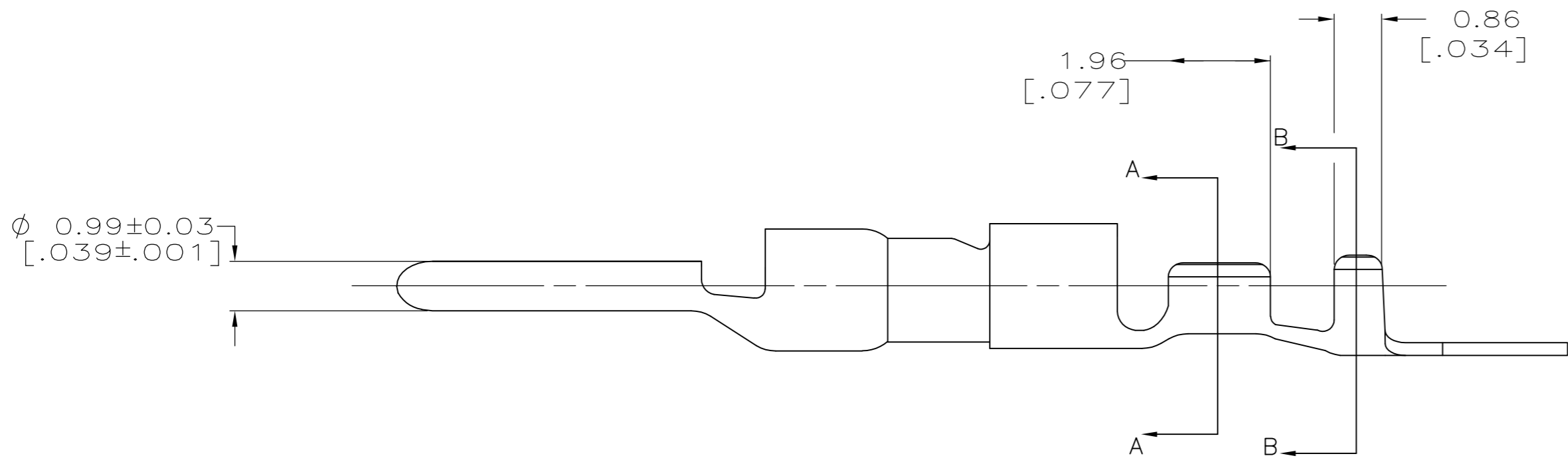


THIS DRAWING IS UNPUBLISHED. RELEASED FOR PUBLICATION  
 © COPYRIGHT - By - ALL RIGHTS RESERVED.

LOC		DIST		REVISIONS			
P	LTR	DESCRIPTION	DATE	DWN	APVD		
CM	0						
	D2	REVISED PER ECR-12-010267	05JUN12	JR	TM		



- 1 0.00076 [.000030] MIN GOLD IN LOCALIZED GOLD PLATE AREA AND 0.00254 [.000100] MIN BRIGHT TIN-LEAD IN LOCALIZED TIN-LEAD PLATE AREA OVER 0.0013 [.000050] MIN NICKEL.
- 2 WIRE RANGE: 0.05 - 0.15MM<sup>2</sup> (30-26 AWG).
- 3 INSULATION RANGE: 0.89-1.27[.035-.050] DIA.
- 4 DIMENSIONS IN BRACKETS ARE IN INCHES.
- 5 0.00076 [.000030] MIN GOLD IN LOCALIZED GOLD PLATE AREA AND 0.00254 [.000100] MIN MATTE TIN IN LOCALIZED TIN PLATE AREA OVER 0.0013 [.000050] MIN NICKEL.



5	0.25[.010] BRASS	1-794216-0
1	0.25[.010] BRASS	794216-3
PRE-TIN	0.25[.010] BRASS	794216-1
FINISH	MATERIAL	PART NUMBER

THIS DRAWING IS A CONTROLLED DOCUMENT.		DWN R. VESTAL 1-15-97	TE Connectivity	
DIMENSIONS: mm [INCHES]		CHK R. SWING 1-15-97	PIN, MINI UNIVERSAL MATE-N-LOK 2	
TOLERANCES UNLESS OTHERWISE SPECIFIED:		APVD -	NAME	
0 PLC ± -		PRODUCT SPEC	-	
1 PLC ± -		APPLICATION SPEC	-	
2 PLC ± -		WEIGHT	-	
3 PLC ± 0.15 [.006]		SCALE	A2 00779 C=794216	
4 PLC ± -		CUSTOMER DRAWING	SCALE 10:1 SHEET 1 OF 1 REV D2	
ANGLES ± -				
FINISH				
SEE TABLE				